

GROVE

INSTRUMENTENTRAEGER ZSB.
INSTRUMENT CARRIER

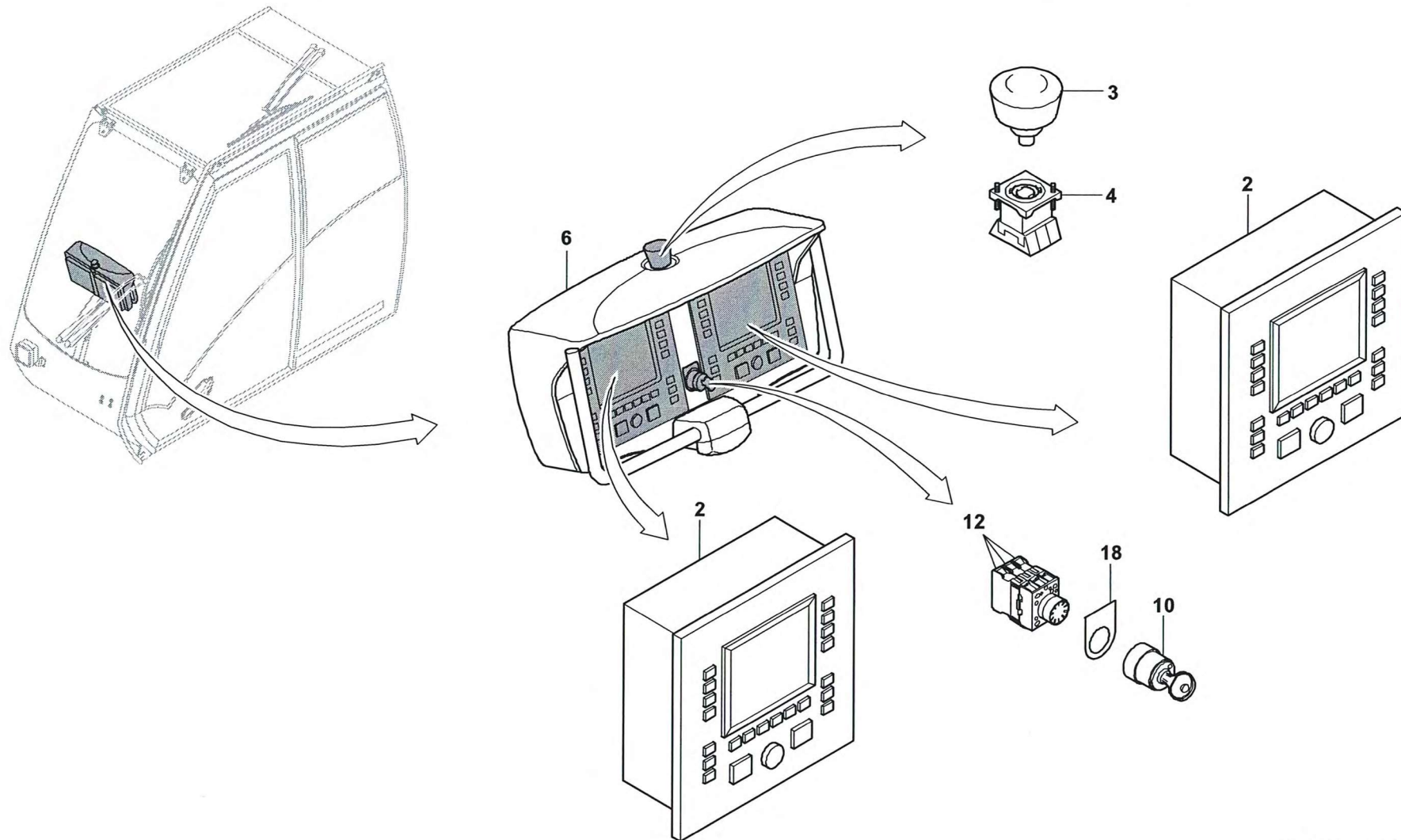
BILDTAFEL
PICTORIAL DISPLAY

08.08

3134261-ETL B

1/1

GMK 5095
BE 630
G 807



3134261-B-BL01-0808-0000